



**ALPHA**acoustic-Puzl.Ortho  
MODULAR SOUND ABSORBING PANELS

**ALPHA ACOUSTIKI**  
In TUNE with YOUR needs

## DESCRIPTION

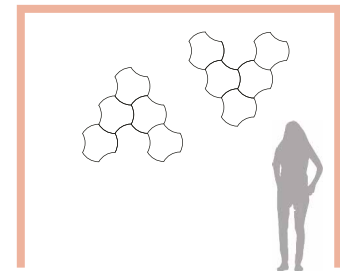
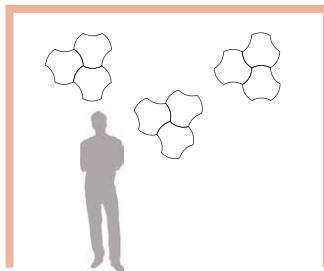
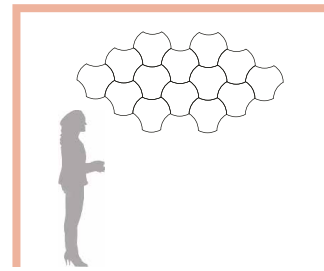
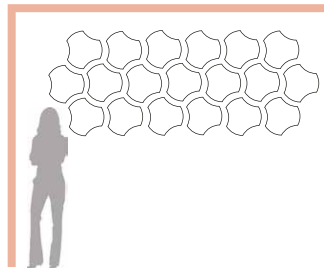
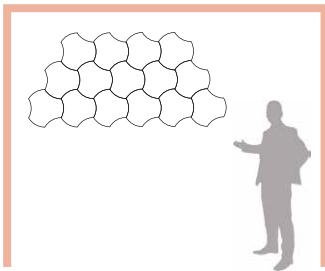
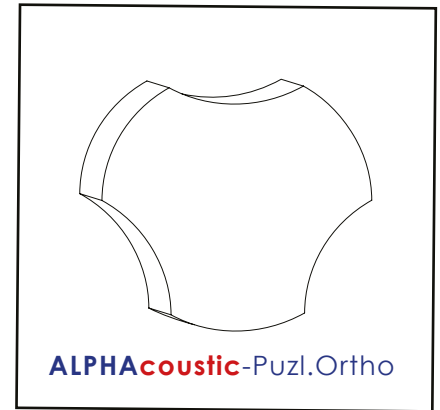
**ALPHAcoustic-Puzl.Ortho** is an aesthetically modular acoustic panel wrapped with acoustic transparent fabric, with a unique shape, that reduces the disturbing noise reflections and improves the interior acoustics. Its modular design makes it the perfect selection for any interior designer who wants to create a custom vibrant look.

It can be installed on:

- Walls
- Ceilings

Typical applications:

- Reception areas
- Offices
- Restaurants
- Recording studios
- Discos
- Waiting rooms
- Classrooms
- Nurseries
- Gyms



## ACOUSTIC CHARACTERISTICS

**ALPHAcoustic-Puzl** is specifically designed to achieve maximum sound absorption at a specific acoustic range band. Our team of acoustic engineers can assist in choosing the acoustic panel with the most adequate sound absorption index ( $\alpha_p$ ) for your project according to ISO 354.2003 and ISO 11654.1997.

Indicative practical sound absorption coefficient ( $\alpha_p$ ) per square meter, and weighted sound absorption coefficient ( $\alpha_w$ ) can be found in the following table:

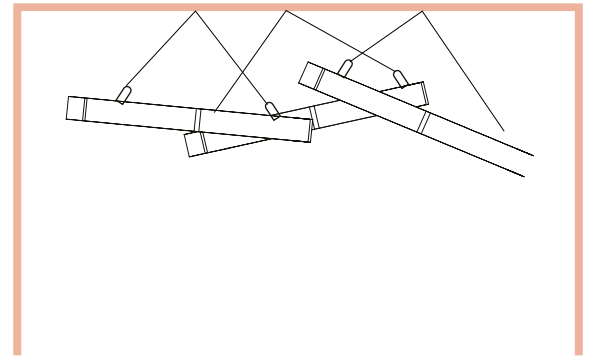
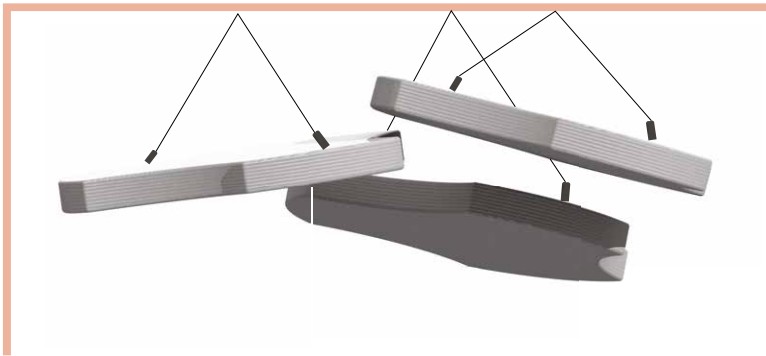
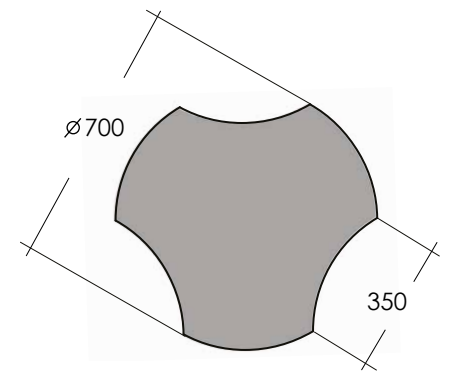
ALPHAcoustic-Puzl Type:	Practical Sound Absorption Coefficient $\alpha_p$						Weighted Sound Absorption Coefficient ( $\alpha_w$ )	Sound Absorption Class
	Frequency (Hz)							
	125	250	500	1000	2000	4000		
Thickness 30 mm	0.05	0.3	0.75	0.8	0.9	0.85	0.8	B
Thickness 50 mm	0.20	0.65	0.9	1	1	1	1	A
Thickness 80 mm	0.45	0.95	1	1	1	1	1	A

Depending on the requirements of each application and in order to achieve sound absorption in a wide range of frequencies, a combination of different sound absorptive materials can be applied.

## INSTALLATION

Modular Acoustic Panels **ALPHA**coustic-Puzl can be easily placed on the wall with their simple hanging system at the back of the panel. They can also be hung from the ceiling from adjustable cable, like a puzzle.

Their cell shape allows the arrangement in various combinations, depending on the interior design needs.



## EXTERNAL COVERING

Acoustic PUZL panels are available with different external covering depending on the aesthetics of each project. The most common is a special sound transparent fabric with high endurance and excellent quality.

They are available in various colours and can be self extinguished (*Flamability test EN13501-1 Class B, s2, d0*).



SAMPLES

For more color options, please refer to our sound transparent fabric **ALPHA**coustic CL. Due to their increased sound transmissibility, the sound absorption capabilities of the internal material are not affected.



In TUNE with YOUR needs

**ALPHA ACOUSTIKI** Ltd combines technical experience and scientific knowledge of its Engineers who are specialized in the field of room acoustics since 1980.

We create workplaces where people choose to work, tailored to the specific requirements of each job, with particular attention to the acoustic necessities of the employee.

## DESIGNING FOR WELL-BEING

The concept designed of ALPHAcoustic products puts in practice all fundamentals of well-being.

Focus on employee and workplace well-being, can result in improved productivity, increased confidence, offering a better staff concentration.

Our Acoustic products help to achieve the WELL Building Standard™ Certification.

Our technical department ([tech@alphacoustic.com](mailto:tech@alphacoustic.com)), would be happy to help you improve the Architectural Acoustics in your project.



### CONTACT



**ALPHA ACOUSTIKI** Ltd.  
73, Apostolopoulou Str.  
Chalandri, 15231 Greece



T: +30 210 6779875  
F: +30 210 6779269



[info@alphacoustic.com](mailto:info@alphacoustic.com)  
[www.alphacoustic.com](http://www.alphacoustic.com)

Eco-friendly



Recyclable